



DOKUMENTASJON

FOR

B6N13A

"Commander Stereo"



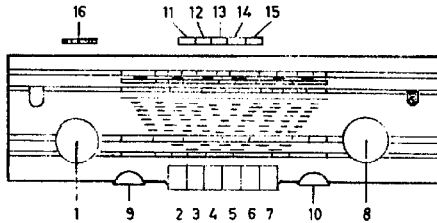
B6N13A



Radio

BETJENINGSORGANER

1. Volumkontroll
2. Nettbryter
3. Bånd/P.U.
4. LB
5. MB } FB
6. KB }
7. FM
8. Stasjonssøker



BETJENINGSORGANER

9. Bass
10. Diskant
11. Mono
12. Stereo
13. Konsert
14. Normal
15. Tale
16. Volumbalanse

BØLGEOMRÅDER

- Langbølge : 150 - 260 Kc/s (2000 - 1150 m)
 Mellombølge: 517 - 1622 Kc/s (580 - 180,4m)
 Kortbølge : 5,9 - 18,2 Mc/s (50,8 - 16,5m)
 Fiskebølge : 1,65 - 5,2 Mc/s (182 - 58 m)
 FM : 87,5 - 100 Mc/s (3,43 - 3 m)

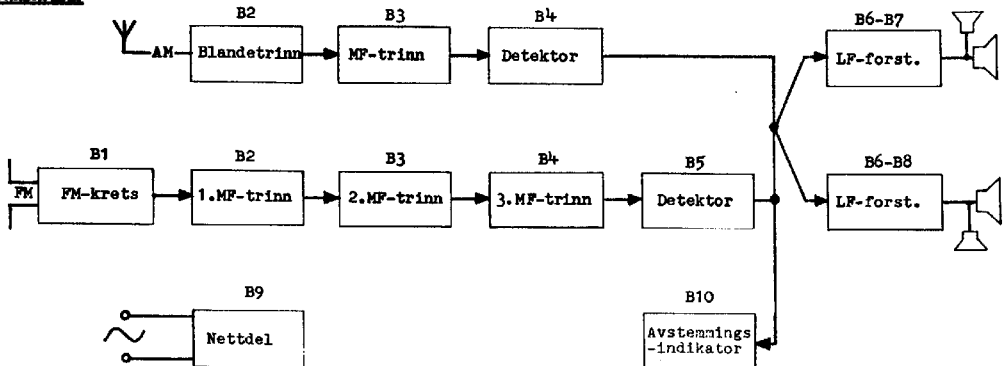
SPESIFIKASJON

- Mellomfrekvens 452 Kc/s
 10,7 Mc/s
 Nettspenning 110 - 145 V
 Effektforbruk 100 W
 Høyttalere AD 3690A: 800 ohm
 AD 3500AM: 100 mA
 Sikringer Z2 10 Amp
 Z3 315 mA
 Z4 80+5 D
 Lamper (L1 + L2)

RÖRBESTYKNING

- | | | |
|----------|---|--------|
| B 1 | - | ECC 85 |
| B 2 | - | ECH 81 |
| B 3 | - | EF 89 |
| B 4 | - | EBF 89 |
| B 5 | - | EAA 91 |
| B 6 | - | ECC 83 |
| B 7, B 8 | - | EL 84 |
| B 9 | - | EZ 81 |
| B 10 | - | EM 80 |

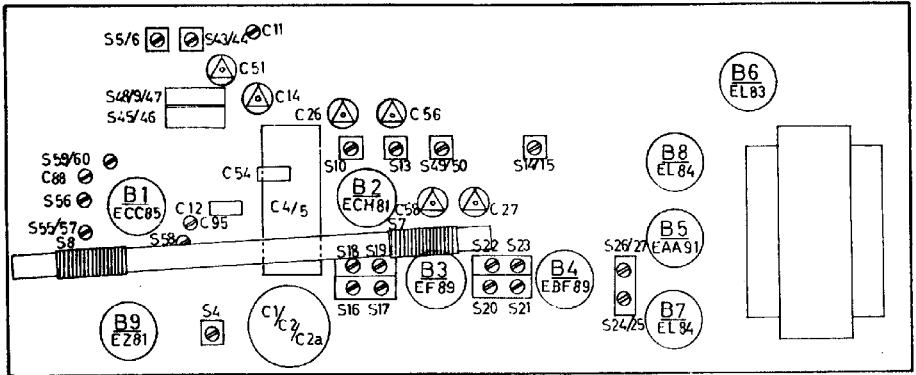
BLOKKSJEMA





B6N13A

Radio



31 140,5
A B c

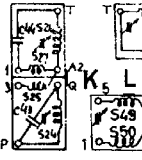
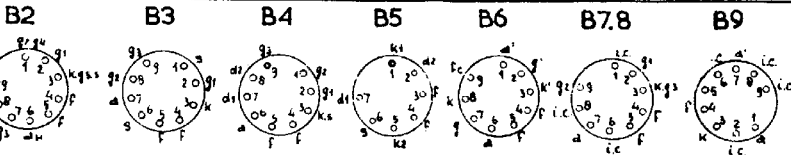
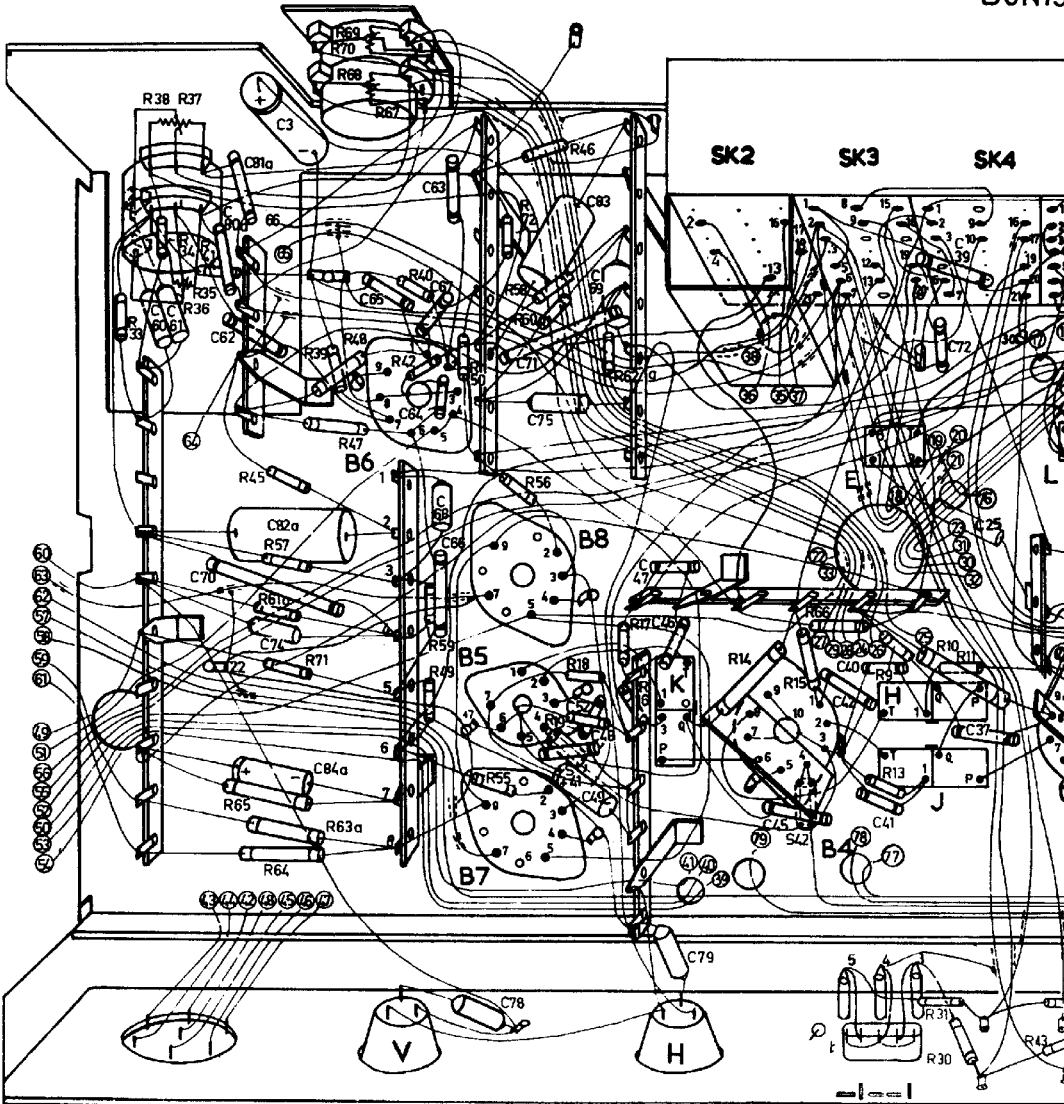
| | TRYKKNAPP | TRIMMEPUNKT | SIGNAL | TRIMM | | | INDIKASJON |
|------------------|-----------|-------------|-------------------------------|--------------------|------------------|------------------|--------------|
| Mellom-frekvens. | 5 | | 452 kc/s via 33000 pF g1B2 | S23, S22, S18, S19 | | | Maks. utgang |
| | | | 452 kc/s | S4 | | | Min. utgang |
| | | | | Gjentas | Ferroc. frakopl. | Ferroc. innkopl. | |
| H.F. kretsen. | 6 | C | 6,3 Mc/s | S13 | S44 | | Maks. utgang |
| | | B | 17 Mc/s | C26 | C87 | | |
| | 5 | C | 550 kc/s | S50 | S46 | S7 | |
| | | B | 1500 kc/s | C56 | C54 | C12 | |
| | 4 | C | 155,5 kc/s | | S48 | S8 | |
| | | B | 260 kc/s | C58 | C14 | C51 | |
| 5 + 6 | C | 1,73 Mc/s | S15 | S86 | | | |
| | B | 4,9 Mc/s | C27 | C11 | | | |
| Mellom-frekvens. | 7 | 87,5 Mc/s | 10,7 Mc/s via 1500 pF | g1B4 | S24 | | Maks. D.V. |
| | | | | g1B4 | x | S26, S27 | Maks. D.V. |
| | | | | g1B3 | xx | S20, S21 | Maks. D.V. |
| | | | | g1B2 | S16, S17 | | |
| | | | | 7 1/2 | S10, S59 | | |
| H.F. kretsen. | 7 | 87,5 Mc/s | 87,5 Mc/s | S56, C95 | | | |
| | | 100 Mc/s | 100 Mc/s | C88 | | | |
| | | 94 Mc/s | 94 Mc/s | S57, C95 | | | |

x : Kopl. et diodevoltmeter (D.V.) mellom koplingspunktet R18-C48 og jord, 1 serie med 0,1Mohm

127 : Kopl. et diodevoltmeter mellom koplingspunktet R18-C48 og jord

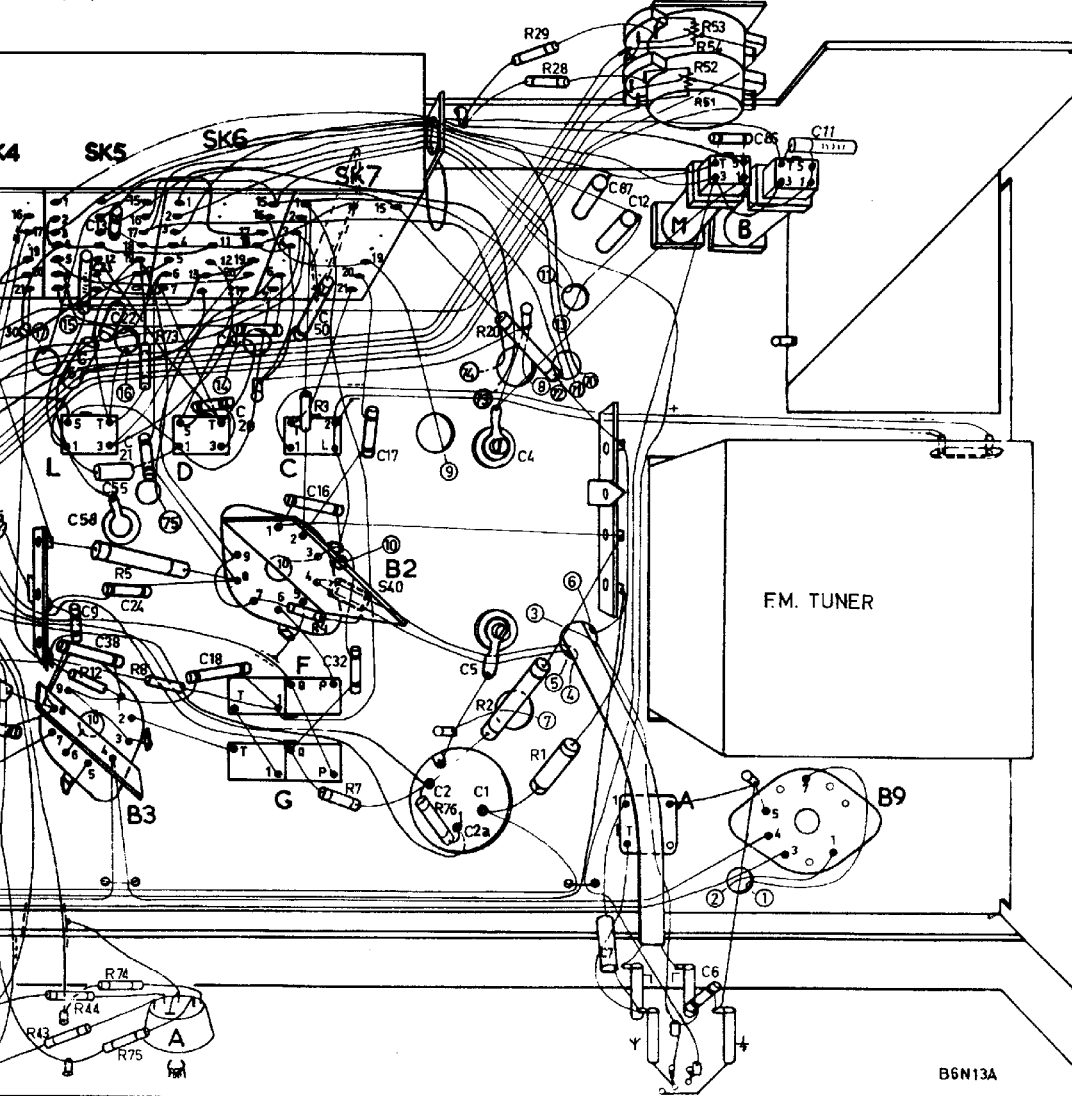
| | | | | | | | | | | | |
|---|----------------------|------------|---|----|-------------------|----------------------------------|-----|----|----------|---------------------|-------|
| S | | | | | | 41 | K | 42 | | E 11 J | |
| C | 60 61 | 80a 81a 82 | 70 82a 74 84a 3 | 65 | 67 64 68 66 63 78 | 71 83a 75 4 8 4 9 52 69 47 46 79 | | 45 | 42 40 41 | 39 72 37 25 9 38 23 | |
| R | 33 54 38 37 36 35 41 | 71 65 | 64 45 57 39 48 47 69 70 68 67 40 42 59 49 50 55 72 56 46 58 | | 18 19 | 17 16 | 14 | 15 | 66 | 13 9 31 30 10 11 | 43 12 |
| | | 61a | 63a | | | | 60a | | 62a | | |

B6N13

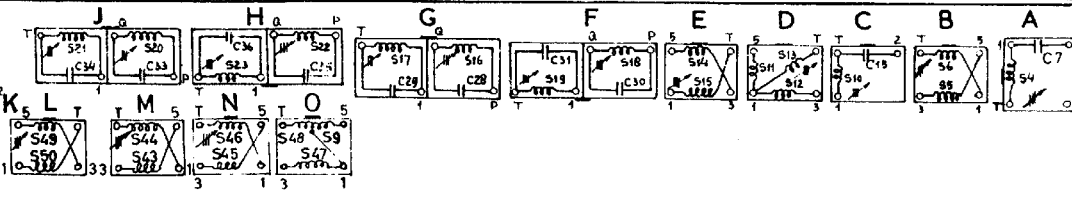


| | | | |
|-----------------------|-------------------------------|-----------------|------------------------------|
| L | D | F G C 40 | A 9 M B |
| 25 9 38 23 | 13 22 55 24 21 57 98 20 18 19 | 50 16 32 17 | 2 1 4 5 7 12 8 87 53 6 86 11 |
| 43 12 44 5 73 8 74 75 | 3 4 7 | 76 2 20 29 28 1 | 53 54 52 51 |

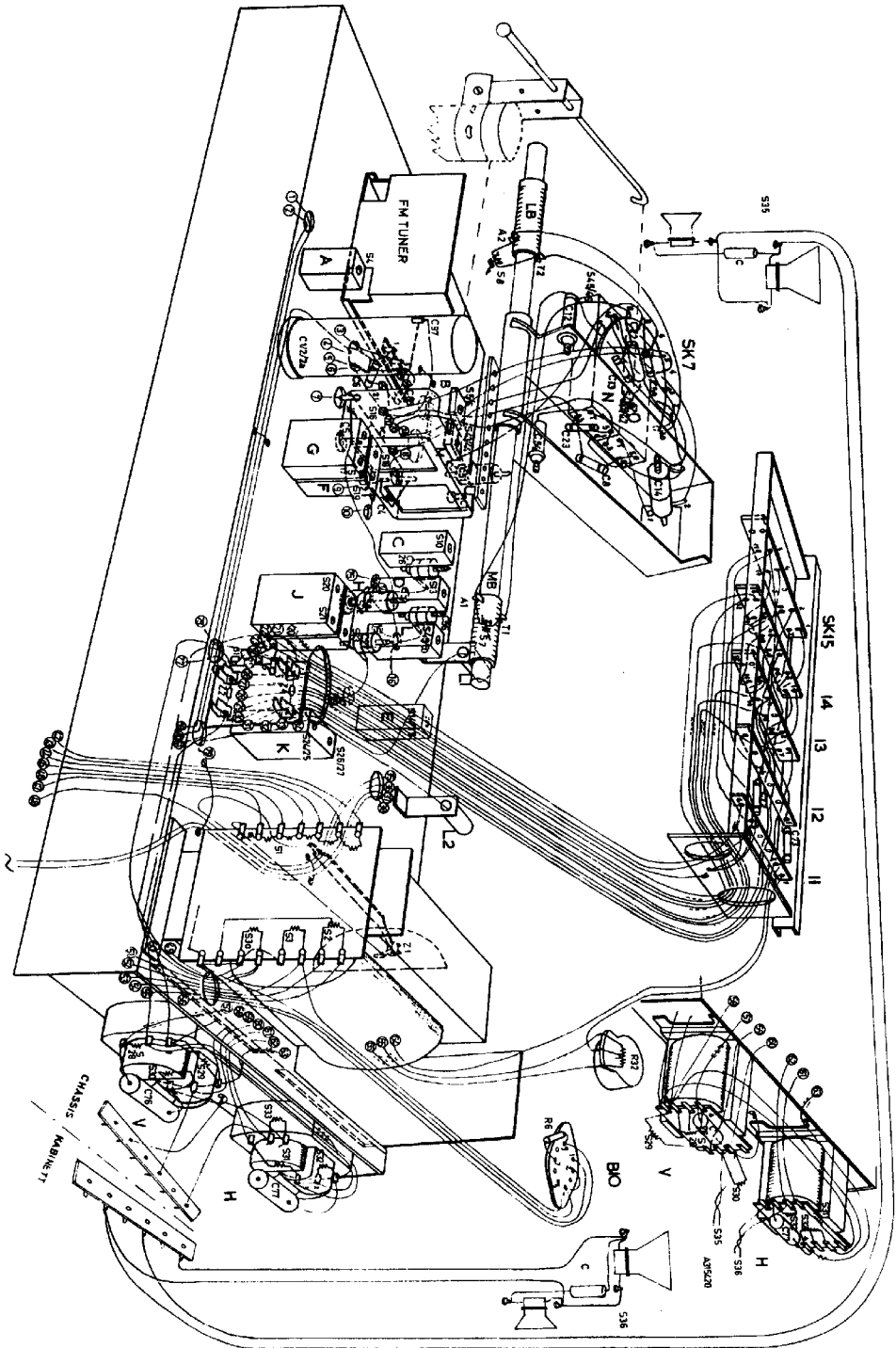
6N13A



6N13A



B6N13A





B6N13A

Radio

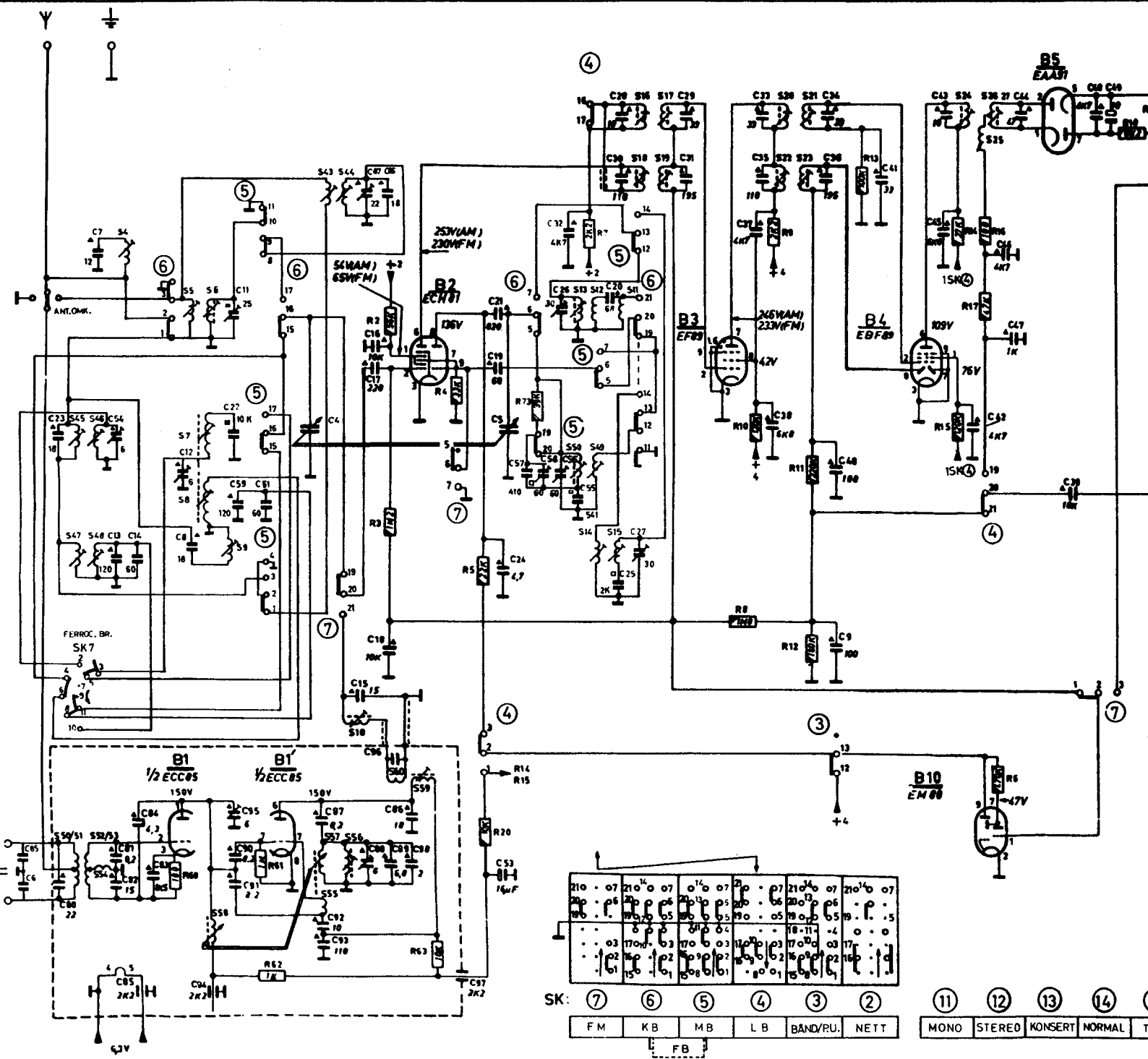
| POS. | BETEGNELSE | KODENUMMER | POS. | BETEGNELSE | KODENUMMER |
|--|-----------------------|-----------------|------------------------------|--|--|
| Z1 } S1 } S2 } S3 } S3a } | Nettrafo | A3 136 56 | C3 | Elektrolytt | AC 8107/8 |
| S4 } C7 } | Sperreekretsspole | A3 180 03 | C4 } C5 } | Variabel kond. Variabel kond. | 920/489-511 920/489-511 |
| S5 } S6 } | Antennespole FB | 921/60-187 | C49 C76 C77 | Elektrolytt 1300 V kond. 1300 V kond. | 909/Z10 48 233 20/2K2 48 233 20/2K2 |
| S7 } S8 } | Stavantenne MB+LB | A3 804 26 | R7 R9 R32 | Kullmotst. (spec.) Kullmotst. (spec.) Kullpotm. (lin.) 2 M | E 001 AC/A2K2 E 001 AC/A2K2 916/GE2M |
| S10) C15) | MF-spole - FM | A3 127 83 | R35) R36) R37) R38) | Tandempotm. | E 091 AG/OOB17 |
| S11) S12) S13) | Oscillatorspole - KB | 923/16-50 | R51) R52) R53) R54) | Tandempotm. | E 091 AG/OOB14 |
| S14) S15) | Oscillatorspole - FB | 923/60-187 | R63 R64 R65 R66 | Kullmotst. spec. Kullmotst. " Kullmotst. " Kullmotst. " | E 001 AG/A1K8 E 001 AG/A1K8 E 001 AG/A82E E 001 AD/A1OK |
| S16) S17) C28) C29) | MF-båndfilter - FM | A3 127 86 | R67) R68) R69) | Tandempotm. | E 091 AG/OOB20 |
| S18) S19) C30) C31) | MF-båndfilter - AM | 925/452 | R76 | Kullmotst. spec. | E 001 AD/A120E |
| S20) S21) C33) C34) | MF-båndfilter - FM | 926/10,7 | | | |
| S22) S23) C35) C36) | MF-båndfilter - AM | 925/452 | | | |
| S24) S25) S26) S27) C43) C44) | Forholdsdet.spole | 926/10,7 RD | | | |
| S28) S29) S30) | Høyttalertrafo | A3 154 20 | | | |
| S31) S32) S33) | Høyttalertrafo | A3 154 20 | | | |
| S40) S41) S42) | Ferrotcube perle | 56 390 30/4B | | | |
| S43) S44) | Antennespole - KB | A3 802 68 | | | |
| S45) S46) | Antennespole - MB | 921/185-590 | | | |
| S47) S48) S 9) | Antennespole - LB | A3 125 36 | | | |
| S49) S50) | Oscillatorspole MB+LB | 923 U/185-590 M | | | |

| BETEGNELSE | KODENUMMER |
|--------------------------------|------------------|
| Plugg, dipol antenne | A3 826 36 |
| Kontaktplate, (til høyttalere) | A3 764 53 |
| Stikkerplate, " " | A3 764 54 |
| Skalaplate | RY 352 45 |
| Knapp (1,8) | A3 783 56 |
| Knapp (9,10) | P4 078 0541 ZUX |
| Knapp (16) | A3 783 74 |
| Trykknapp (2-7) | P5 420 26139/FC |
| Kontaktsleide | 971/124 |
| Kontaktsleide | 971/137 |
| Statorskinne | 971/120 |
| Kontaktsleide | 971/138 |
| Kontakttunge | 971/79 |
| Kontaktleppe | 971/77 |
| Trykknapp (11-15) | P5 420 38/139/FC |

Ved bestilling av deler bes oppgitt:

1. Betegnelse
2. Kodenummer
3. Mottakerens typenummer

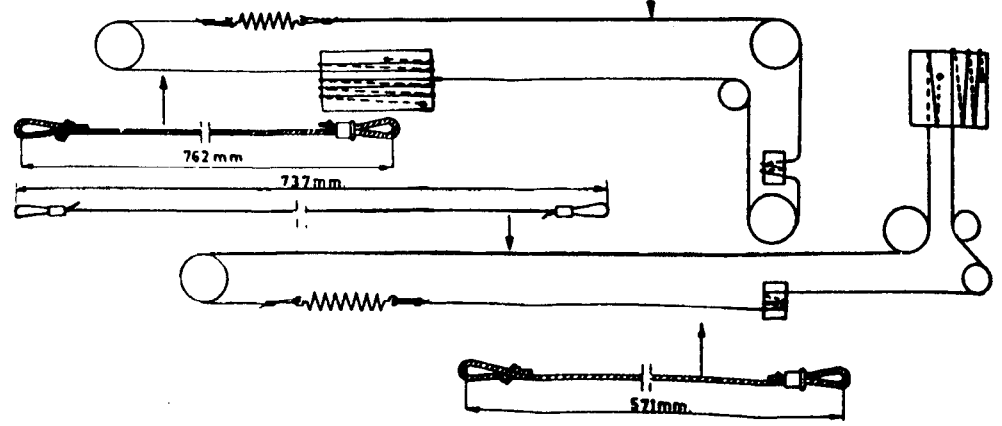
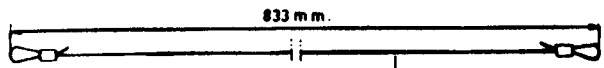
| | | | | | | | | | | | | | | | | | | | | | | | | | | | | | | | | | | | | | | | | | | | | | | | | | | | | | | | | | | | | |
|----|----|----|----|----|----|----|----|----|----|-----|-----|-----|-----|-----|-----|-----|-----|-----|-----|-----|-----|-----|-----|-----|-----|-----|-----|-----|-----|-----|-----|-----|-----|-----|-----|-----|-----|-----|-----|-----|-----|-----|-----|-----|-----|-----|-----|-----|-----|-----|-----|-----|-----|-----|-----|-----|-----|-----|-----|-----|
| 90 | 91 | 92 | 93 | 94 | 95 | 96 | 97 | 98 | 99 | 100 | 101 | 102 | 103 | 104 | 105 | 106 | 107 | 108 | 109 | 110 | 111 | 112 | 113 | 114 | 115 | 116 | 117 | 118 | 119 | 120 | 121 | 122 | 123 | 124 | 125 | 126 | 127 | 128 | 129 | 130 | 131 | 132 | 133 | 134 | 135 | 136 | 137 | 138 | 139 | 140 | 141 | 142 | 143 | 144 | 145 | 146 | 147 | 148 | 149 | 150 |
|----|----|----|----|----|----|----|----|----|----|-----|-----|-----|-----|-----|-----|-----|-----|-----|-----|-----|-----|-----|-----|-----|-----|-----|-----|-----|-----|-----|-----|-----|-----|-----|-----|-----|-----|-----|-----|-----|-----|-----|-----|-----|-----|-----|-----|-----|-----|-----|-----|-----|-----|-----|-----|-----|-----|-----|-----|-----|



| | | | | | | | | | | | | | |
|-----|----|-----|----|-----|----|-----|----|-----|----|-----|----|-----|----|
| 210 | 07 | 210 | 07 | 210 | 07 | 210 | 07 | 210 | 07 | 210 | 07 | 210 | 07 |
| 20 | 05 | 20 | 05 | 20 | 05 | 20 | 05 | 20 | 05 | 20 | 05 | 20 | 05 |
| 18 | 04 | 18 | 04 | 18 | 04 | 18 | 04 | 18 | 04 | 18 | 04 | 18 | 04 |
| 17 | 03 | 17 | 03 | 17 | 03 | 17 | 03 | 17 | 03 | 17 | 03 | 17 | 03 |
| 16 | 02 | 16 | 02 | 16 | 02 | 16 | 02 | 16 | 02 | 16 | 02 | 16 | 02 |
| 15 | 01 | 15 | 01 | 15 | 01 | 15 | 01 | 15 | 01 | 15 | 01 | 15 | 01 |

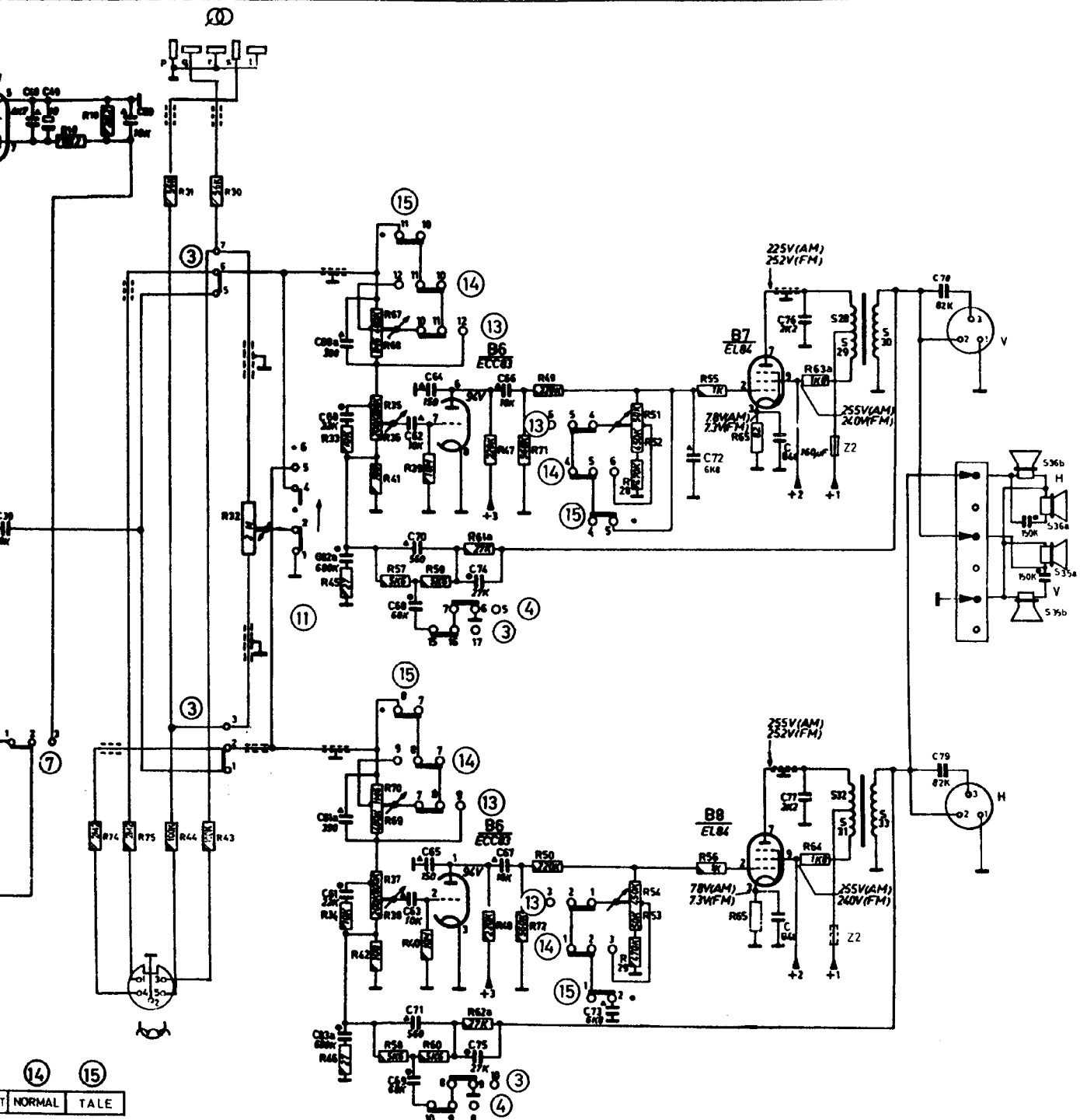
SK: (7) (6) (5) (4) (3) (2) (11) (12) (13) (14) (15)

FM KB MB LB BAND/RU NETT MONO STEREO KONSERT NORMAL T

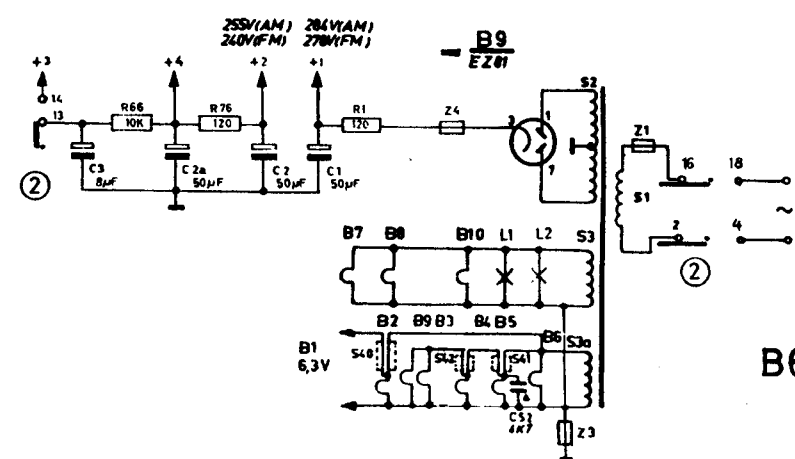


- 905/ 100/
- 906/ 100/L
- 906/V 100/V
- 907/ 100/
- 908/ 100/
- 904/P 100/P
- 905/D 100/D

| | | | | | | | |
|----|-------|----------------------------------|--|------------|------|----|--------------------------|
| 40 | 42 | 41 | 3 | 30 | 2 | 1 | 20 29 30 32 31 33 35 a,b |
| 48 | 50 | 60-60 62 67 70 69 64 74 3 06 2 1 | 52 | 72 | 84 a | 76 | 76 |
| 48 | | 61 a 61 63 a 63 71 69 65 75 67 | 73 | | | 77 | 79 |
| 90 | 10 43 | 44 30 32 | 33 45 67 68 35 36 41 57 39 59 60 a 47 71 49 66 | 51 52 20 1 | 55 | 85 | 63 a |
| | 74 75 | 31 | 34 46 70 69 37 38 42 50 40 60 a 62 a 48 72 50 | 54 53 29 | 56 | | 64 |



14 15
NORMAL TALE



B6N13A